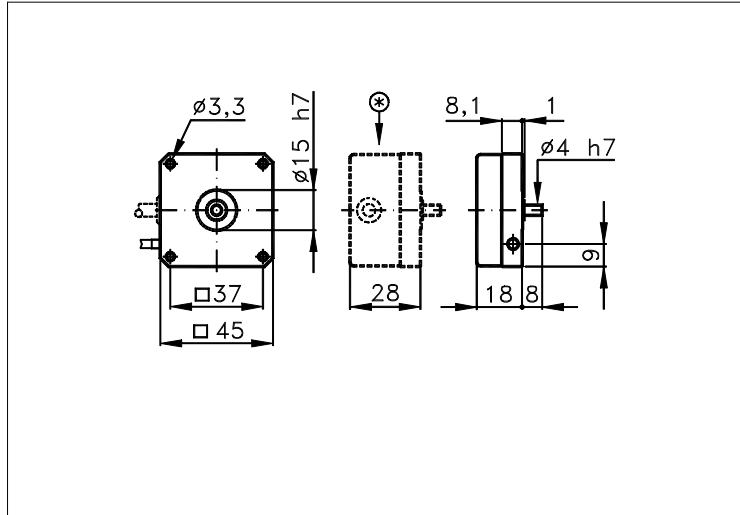


Sized draw standard version: CV R Measures without tolerance according to UNI ISO 2768-mk



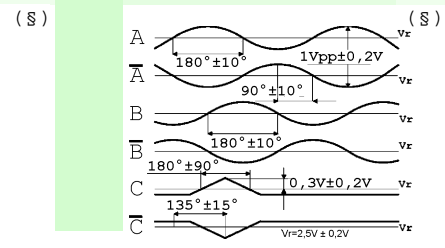
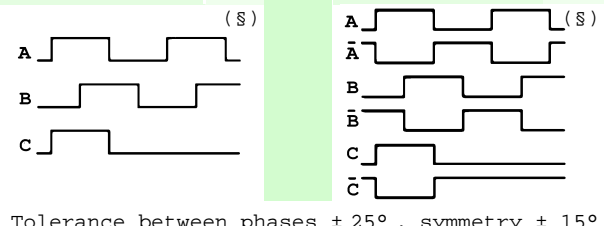
* FOR ELECTR. THAT ARE NOT '-', 'K', 'N' OR FOR PULS.>2540.

TECHNICAL FEATURES AND POSSIBLE CONFIGURATIONS

- | | |
|--|---|
| - Base.....: ANODIZED ALUMINIUM (*) | - Ball bearings life....: 1,5 x 10 ⁹ revolutions |
| - Cover.....: ANODIZED ALUMINIUM (*) | - Impact resistance....: 50 G x 11ms |
| - Weight.....: 120 g | - Vibration resistance.: 12 G (10 ÷ 2000 Hz) |
| - Shaft.....: Ø 4 STAINLESS STEEL (*) | - Power supply.....: 5÷30V (see page 2) |
| - Max.rad/axial load.: 0,7 kg | - Operating temperature: 0 ÷ 70 °C (*) |
| - IP output side.(°): see 'CONNECTION' of page 2 | - Storage temperature...: -30 ÷ 85 °C |
| - IP shaft side..(°)> std. 64 sealed 65 low torq. 53 | - N° of pulses/rev.....: 1 ÷ 10000 |
| opt. type (page 2)> standard Z B | - Max frequency.....: 60 kHz (160 option) |
| - Contin. max RPM(**)> 6000 3000 12000 | - Max consumptions mA.: std 120 line driver 180 (*) |
| - Starting torque gcm> 12 25 8 | - Light source.....: LED with >= 100000 h life |
- (°) IP according to CEI EN 60529, EN 60529, IEC 529
(*) custom options
(**) intermittent max RPM + 30% of continuous max RPM

ELECTRONICS

CODE	DESCRIPTION	mA	CODE	DESCRIPTION	mA	CODE	DESCRIPTION	mA
	STANDARD NPN	10	N	DRIVER 26LS31	30	Y	SINUSOID. 1Vpp	10
K	NPN OPEN COLL	10	T	TTL 7404	10			
Q	NPN	70	C	DRIVER 88C30	20			
R	NPN OPEN COLL	70						
P	PNP	70						
U	PNP OPEN COLL	70						
B	PUSH-PULL PRO	70						
H	PUSH-PULL	70						

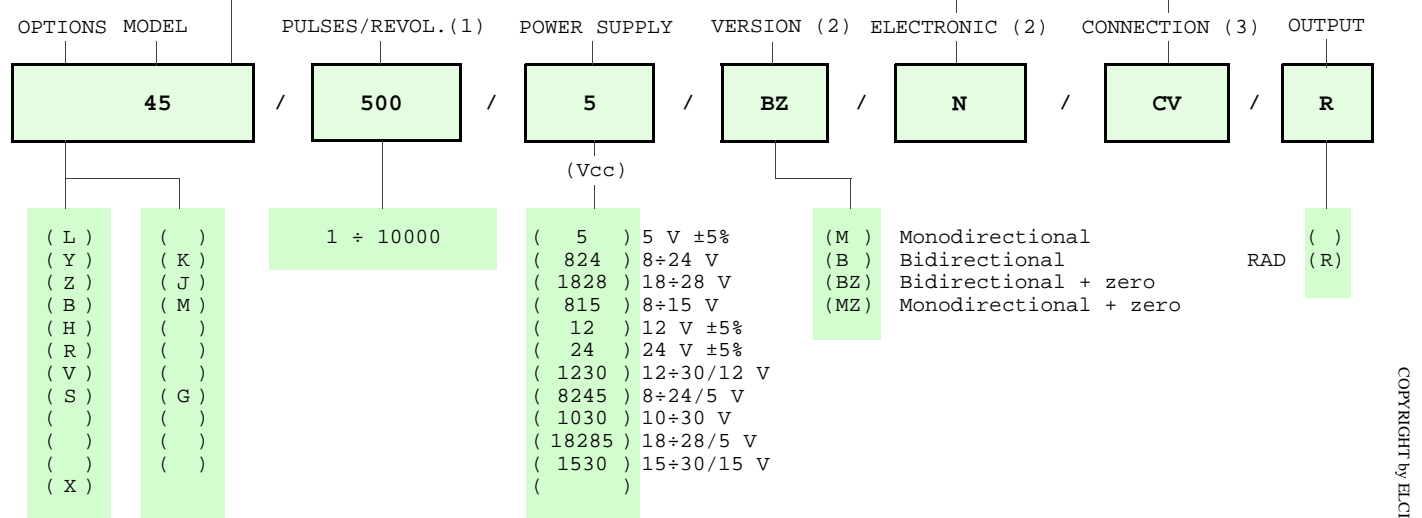


(§) Clock-wise output rotation (see shaft).

POSSIBLE OPTIONS				POSSIBLE CONNECTIONS								
CODE	DESCRIPTION	CODE	DESCRIPTION									
L	Low temperature			CABLE								
Y	Unbreakable disk	K	Invert. phase A,B,Zero.	CV				OUTPUT: RAD				
Z	Sealed ball bearing	J	Zero logic combination	CONNECTOR				OUTPUT:				
B	Low torque ball bear.	M	Impregnated electronic									
H	Different shaft Ø			CABLE END CONNECTOR				OUTPUT:				
R	75 KHz frequency	G	Tropicalization	VM	TM	VL	TL	VD	VH	VH5	VI	
V	100 KHz frequency			VE	VK	TK	VN	VH6	VM5	VM9	VS	RAD
S	160 KHz frequency			VD5								
X	Custom options			TERMINAL BOX				OUTPUT:				

ORDERING INFORMATION


POSSIBLE SHAFT Ø		CABLE	CONNECTOR	CABLE END CONNECTOR
()	() STANDARD NPN	IP65		IP65 encoder output
()	(K) NPN OPEN COLL	(CV) 1 m long	()	(VM) 7c normal
()	(Q) NPN	()	()	(TM) 7c sealed
()	(R) NPN OPEN COLL	()	()	(VL) 10c normal
()	(P) PNP	()	()	(TL) 10c sealed
()	(U) PNP OPEN COLL	()	()	(VD) 9c
(n)	(B) PUSH-PULL PRO	TERMINAL BOX	()	(VH) 12c anticlock.
	(H) PUSH-PULL	IP00	()	(VH5) 12c clock-wise
()	(N) DRIVER 26LS31	()	()	(VI) 12c crimped
()	(T) TTL 7404	()	()	(VE) 5c
()	(C) DRIVER 88C30	()	()	(VK) 17c normal
()	()	()	()	(TK) 17c sealed
()	()	()	()	(VN) 12c
()	(Y) SINUSOID.1Vpp	()	()	(VH6) 12c clock-wise
()	(X) CUSTOM OPTION	()	()	(VM5) 26c
()	()	()	()	(VM9) 16c
()	()	()	()	(VS) 12c
()	()	()	()	(VD5) 9c screened



NOTE: FOR 88C30 MAX 15 Vdc

Product manufactured according to UNI EN ISO 9001:2000 supplied with CHECKING and CONFORMITY declaration with CE mark and with TWO (2) YEARS WARRANTY starting from delivery date.

- (1) For further information see PULSES/REVOL. data sheet
- (2) For further information see ELECTRONIC data sheet
- (3) For further information see CONNECTION data sheet

	ELCIS s.r.l. Via Rosa Luxembourg 12/14 10093 COLLEGNO (TO) ITALY	* http://www.elcis.com
	Phone: +39 011 715577/78 a.r.	* e-mail: info@elcis.com
	MAIL: ELCIS s.r.l. P.O.Box 90 10093 COLLEGNO (TO) ITALY	* Fax: +39 011 712613

COPYRIGHT by ELCIS - Collegno (TO)